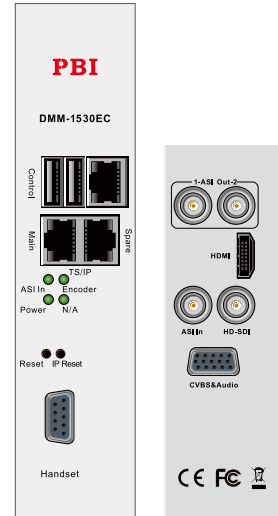


DMM-1530EC H.264 HD/SD, MPEG-2 SD encoder module

The DMM-1530EC HD/SD encoder provides multiple input interfaces for complexity network environment. In addition to H264 HD/SD, the unit also support MPEG-2 SD encoding. The advanced remux makes the after encoding stream more flexible to adapt different PSI/SI range requirement. Also, the complete output interfaces makes the module more adaptive.

Main features

- Fully compliant with H.264/AVC Baseline, Main & High Profile @ L4.0 or less & MPEG-2 MP@ML
- Multiple video resolution including 1080i, 720p, 576i, 480i
- Multiple inputs, HD/SD-SDI, HDMI and CVBS for encoding
- Supports GbE TS/IP input/output(full duplex)
- Built-in Re-mux can multiplex services from ASI Input, IP input with encoded service
- Supports PSI/SI edit
- Supports VBR and CBR encoding mode
- Supports 2 pairs of analog stereo audio encoding with optional extension audio board
- Remote Control and Supervision by SNMP, HTTP WEB
- Supports Down scale without changing frame rate

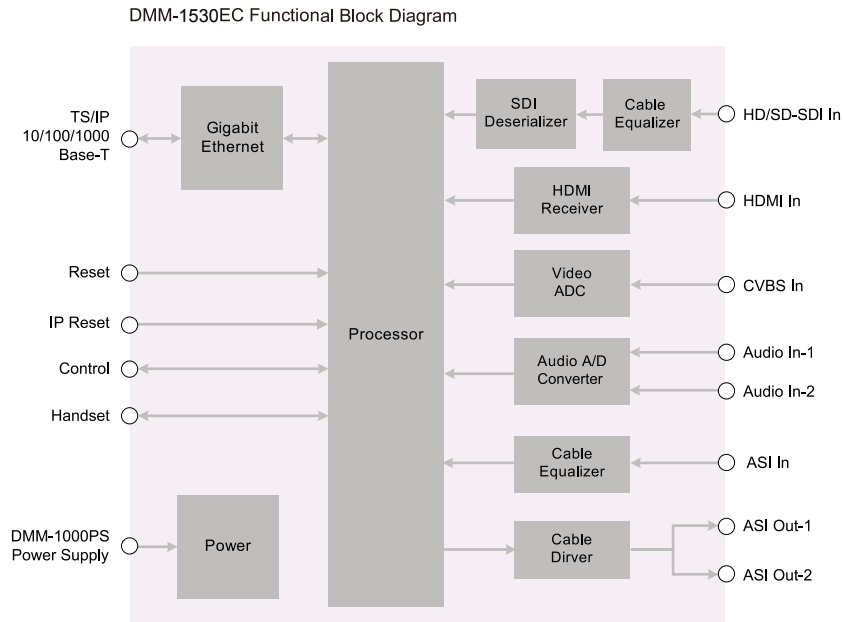


Specificatio

Video	
Interfaces	HD/SD-SDI, HDMI, CVBS
Standard	H.264 / AVC HP@L4.0 / MPEG-2 MP@ML
Bandwidth	300K~20Mbps
Video Resolution & Recommend Compression Bit Rate H.264	1080i (1920 × 1080) @25Hz,29.97Hz: SMPTE274M: 1~13Mb/s 720p (1280 × 720) @50Hz,59.94Hz: SMPTE296M: 1~13Mb/s 480i (720 × 480) @29.97Hz: SMPTE656M: 600K~8Mb/s 576i (720 × 576) @25Hz: SMPTE656M: 600K~8Mb/s
Video Resolution & Recommend Compression Bit Rate MPEG 2	480i (720 × 480) @29.97Hz: SMPTE656M: 3.5~8Mb/s 576i (720 × 576) @25Hz: SMPTE656M: 3.5~8Mb/s
Aspect Ratio	4:3/16:9
Audio	
Audio1 input	SDI/HDMI Embedded Analog Left/Right AES/EBU
Audio2 input	SDI/HDMI Embedded Analog Left/Right
Coding Standard	MPEG1 Layer II MPEG-2/4 AAC-LC/HE-AAC (V1, V2)
Recommend Compression Bit Rate	MPEG1 Layer II: 64~384Kb/s (Stereo) , 32~192Kb/s (Mono) MPEG2/4 AAC-LC: 48~512Kb/s (Stereo) , 24~256Kb/s (Mono) MPEG2/4HE-AAC (V1, V2) : 32~256Kb/s (Stereo) , 16~128Kb/s (Mono)
Sample rate	48KHz
ASI Input	
Interface	75Ω, BNC Female
Maximum Bit Rate	100 Mb/s
Data type	Byte
Packet length	188/204 Bytes
Signal level	200 ~ 880mVp-p

ASI Output	
Interface	75Ω, BNC Female
Data type	Byte
Packet length	188/204
Power Level	800±80mV
TS/IP Duplex	
Standard	IEEE 802.3, 10/100/1000 Base-T
Bandwidth	160Mb/s (Input 80Mb/s, Output 80Mbps)
Data protocol	UDP/RTP
IGMP	v2/v3
TS/IP IPTV/Multiple DVB	
TS/IP Duplex	IEEE 802.3, 10/100/1000 Base-T
Bandwidth	200Mb/s, 4 channels DVB mode or 32 IPTV channel mode
Data protocol	UDP/RTP
IGMP	v2/v3
Rear Panel	
ASI In	1×ASI BNC Female75Ω
SDI In	1×HD/SD SDI BNC Female 75Ω
HDMI In	1×HDMI
CVBS& Audio L/R In	D-Sub15
Audio2 In	D-Sub15
ASI Out	2×ASI (Mirror) BNC Female 75Ω
Front Panel	
Control	RJ-45, 10/100 Base-T
TS/IP	2×GbE(Mirror), RJ-45, 10/100/1000 Base-T
LED	3×LED
IP Reset	Management IP reset
Reset	Unit reset
Handset	DB-15 control unit interface
Physical	
Power	DC 3.3V/5V/12V, from DMM-1100 (8-slot) or DMM-210 (2-slot)
Operation temperature	0~45°C
Storage temperature	-10~60°C
Humidity	10~90%, Non-condensed

Block Diagram



Order Information

Interface \ Model		DMM-1530EC-XX			
		-30	-32	-40	-42
Input	HDMI	•	•	•	•
	CVBS	•	•	•	•
	Audio 1	•	•	•	•
	Audio 2		•		•
	SDI	•	•	•	•
	ASI	•	•	•	•
Output	ASI x2	•	•	•	•
	GbE			•	•
	Control	•	•	•	•
	RS-232	•	•	•	•